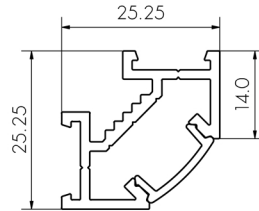


1 PRODUCT OVERVIEW

THESE INSTRUCTIONS ARE FOR
13MM PLASTERBOARD ONLY.



WHERE'S BEN 25

2 INSTALL EXTRUSION AND END CAPS

1. DRILL & COUNTERSINK $\varnothing 4\text{MM}$ - $\varnothing 4.5\text{MM}$ MOUNTING HOLES IN EXTRUSION.

NOTE: MAXIMUM SPACE BETWEEN MOUNTING HOLES SHOULD BE 400MM. MOUNTING HOLES MUST BE DRILLED WITHIN 100MM OF EACH END AND WITHIN 100MM EITHER SIDE OF A JOIN OR BEND. E.G. A 1000MM EXTRUSION SHOULD HAVE 3 MOUNTING POINTS, ONE CENTRED AND ONE EACH END WITHIN 100MM.

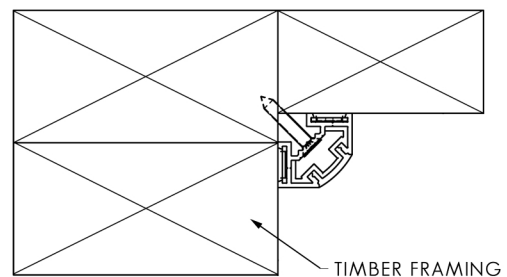
2. FEED LED STRIP TAILS (OR CABLE) THROUGH HOLE IN EXTRUSION. DO NOT INSTALL LED STRIP AT THIS POINT.

3. IF USING MULTIPLE LENGTHS OF EXTRUSION, SLIDE EXTRUSIONS TOGETHER ON TO JOINER OR BEND PLATE AND SECURE WITH GRUB SCREWS PROVIDED.

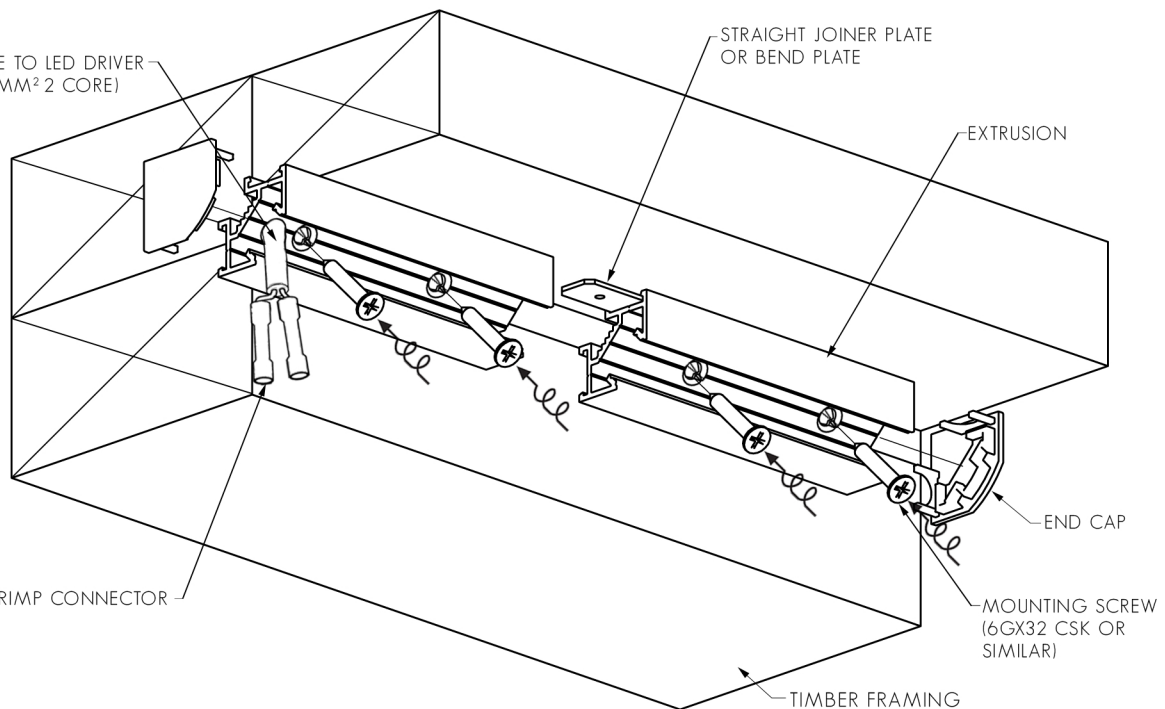
4. INSERT END CAPS INTO ENDS OF EXTRUSION.

5. SCREW EXTRUSIONS INTO CORNER OF TIMBER USING 6GX25 SELF-TAPPING COUNTERSUNK SCREWS (OR SIMILAR). DO NOT OVER-TIGHTEN SCREWS OR EXTRUSION MAY DEFORM.

FIG. 1 - ENSURE EXTRUSION IS MOUNTED SECURELY



CABLE TO LED DRIVER
(1.50MM² 2 CORE)



CRIMP CONNECTOR

STRAIGHT JOINER PLATE
OR BEND PLATE

EXTRUSION

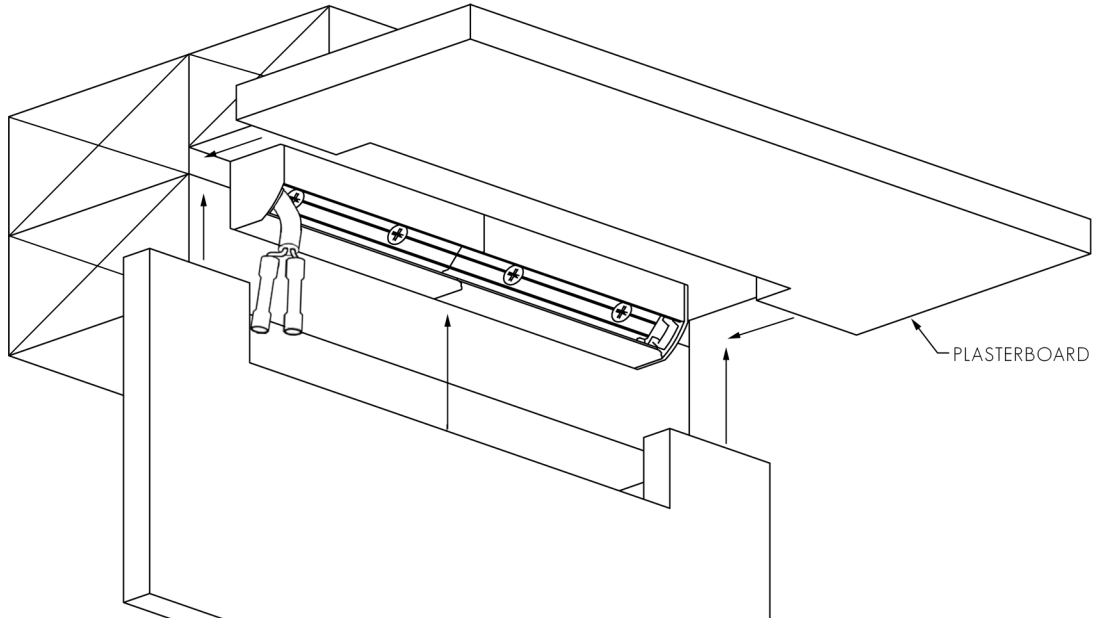
END CAP

MOUNTING SCREW
(6GX32 CSK OR
SIMILAR)

TIMBER FRAMING

3 INSTALL PLASTERBOARD

1. CUT 13MM PLASTERBOARD TO FIT AROUND EXTRUSION, LEAVING APPROXIMATELY 3MM BETWEEN EXTRUSION & PLASTERBOARD.



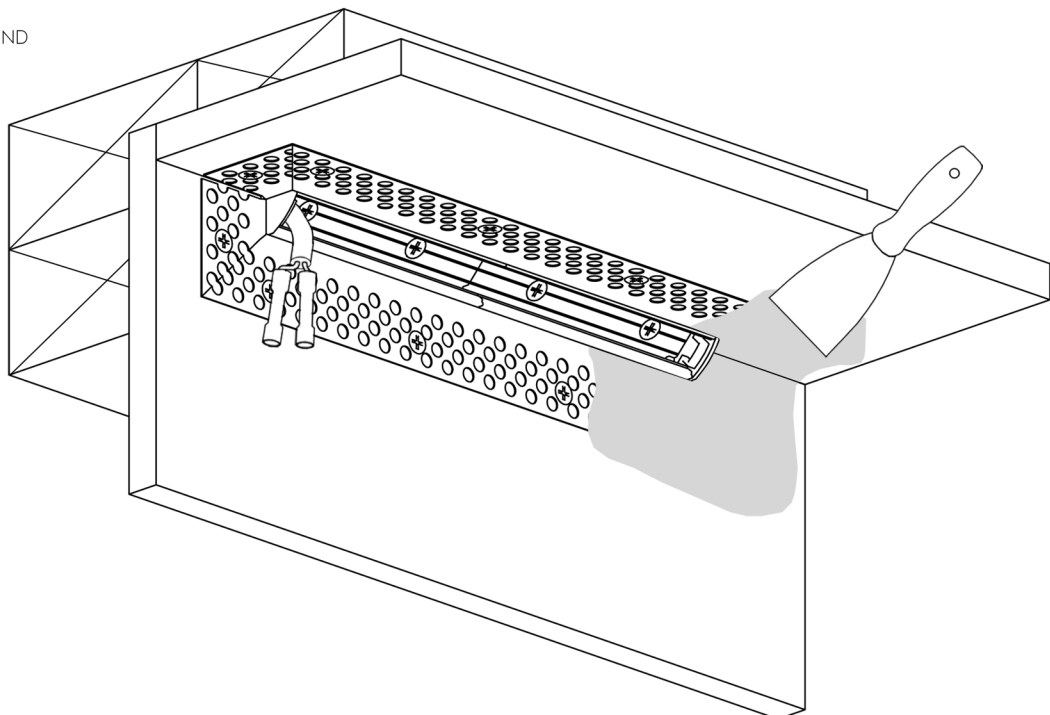
4 INSTALL STOPPING ANGLE, PLASTER & PAINT

1. CREATE PLASTERING EDGES USING GIB P26 STOPPING ANGLE (OR SIMILAR) FOR 13MM PLASTERBOARD. LEAVE A 1MM SPACE BETWEEN EXTRUSION AND STOPPING ANGLE.

2. STOP PLASTER UP TO STOPPING ANGLE.

PLASTER FINISH IS CRITICAL AS THIS LIGHT SOURCE MAY EXAGGERATE IMPERFECTIONS IN PLASTER FINISH. IT IS RECOMMENDED TO WASH A LIGHT SOURCE ACROSS SURFACE TO CHECK FOR IMPERFECTIONS IN PLASTER BEFORE COMPLETING.

3. PAINT PLASTER AND PLASTERBOARD.



5 MAKE ELECTRICAL CONNECTION, INSTALL LED STRIP AND DIFFUSER

1. MAKE ELECTRICAL CONNECTION: CONNECT LED STRIP TAILS TO LED DRIVER (SEE FIG. 2 IF SUPPLIED WITH MALE/FEMALE CONNECTORS).
2. **IMPORTANT:** BEFORE MOUNTING LED STRIP, CLEAN EXTRUSION USING AN ALCOHOL BASED CLEANER.
3. REMOVE BACKING FROM LED STRIP TO EXPOSE STICKY SURFACE. LAY LED STRIP INTO EXTRUSION, USING THE SMALL GROOVES IN THE BACK OF THE EXTRUSION AS A GUIDE.
4. CLIP DIFFUSER INTO EXTRUSION, ENSURING A FIRM CONNECTION (SEE FIG. 3).

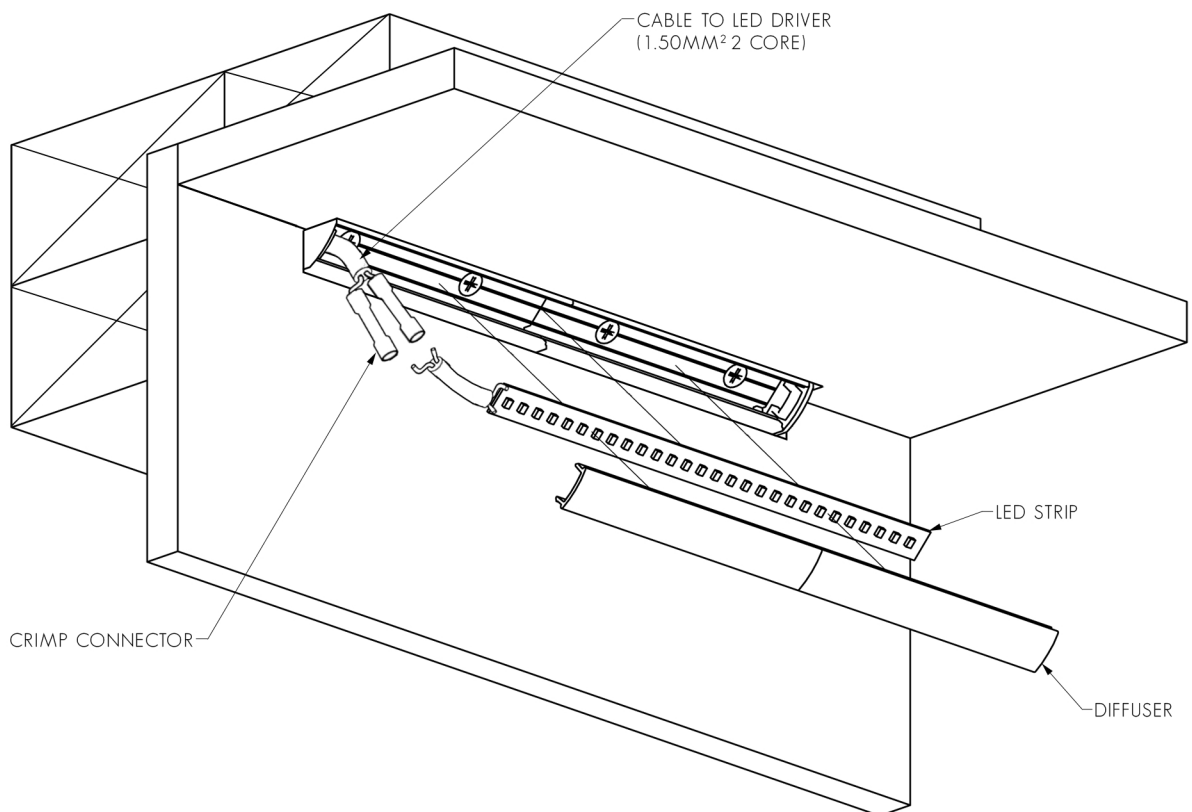


FIG. 2 - MAKE ELECTRICAL CONNECTION

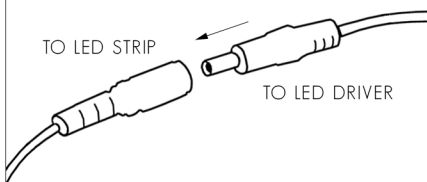


FIG. 3 - ENSURE DIFFUSER IS MOUNTED SECURELY

