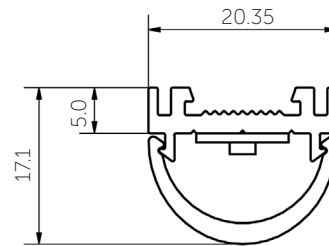
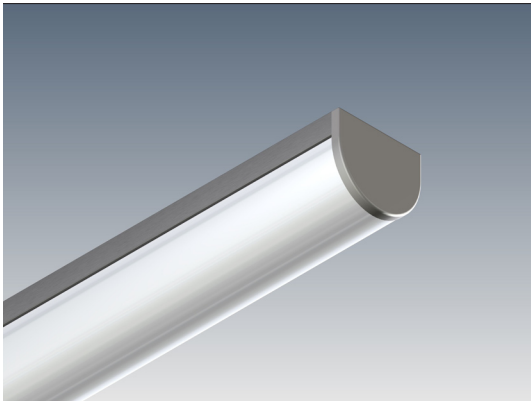


Sideways Sally 5C

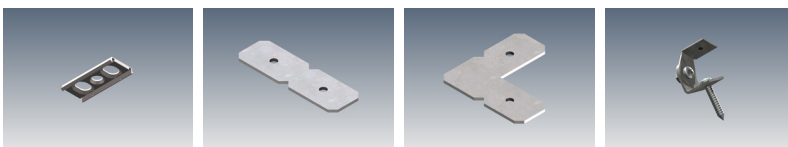


Sideways Sally 5C has many uses as a surface mounted profile solution, whether it is used as a slim-line mirror light in a bathroom, discrete task lighting under a shelf or tucked into a pelmet. With diffuser options of both curved and rectangular, this profile is sure to be a great addition to any specifier's tool kit.

MOUNTING OPTIONS	DIFFUSER OPTIONS	SUPER SERIES LED STRIP OPTIONS		
Surface mounted	Satin	Lumens per metre	Watts per metre	Colour temp.
		310lm		2700K
		330lm	3W	3000K
		345lm		4000K
		760lm		2700K
		800lm	7W	3000K
		840lm		4000K
		1520lm		2700K
		1600lm	14W	3000K
		1680lm		4000K

- LED strip options vary depending on region – please consult your local distributor for more information. Other LED strip options are available on request, including IP54 and IP67.
- All lumen values refer to the bare LED strip. Losses through diffuser/profile are not represented. Consult photometric data.
- 5 year manufacturer's warranty on Super Series & Spec Series LED strip.

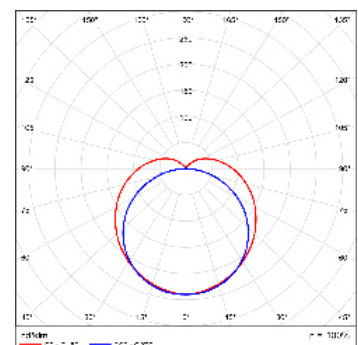
ACCESSORIES



JMC-12 Joinery mounting clip JN-ST Straight joiner JN-90 90 degree joiner MB-ADJ Adjustable mounting bracket

ADDITIONAL INFORMATION

Applications: Mirror lighting, kitchen joinery, display shelving.
 Installation: Interior or exterior (with IP67 rated LED strip).
 Materials: Extruded aluminium body, PMMA diffuser, AES plastic end caps.
 Finish: Natural silver anodised or custom powder coat.
 Light source: LED ribbon strip.
 Power supply: 24V DC - remote driver options ranging from 6W up to 320W.
 Dimmable: Various options available, please enquire.



Polar curve for 1340 lumen LED strip with satin diffuser.

