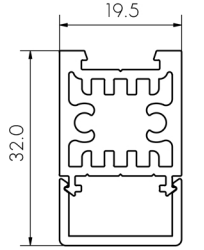
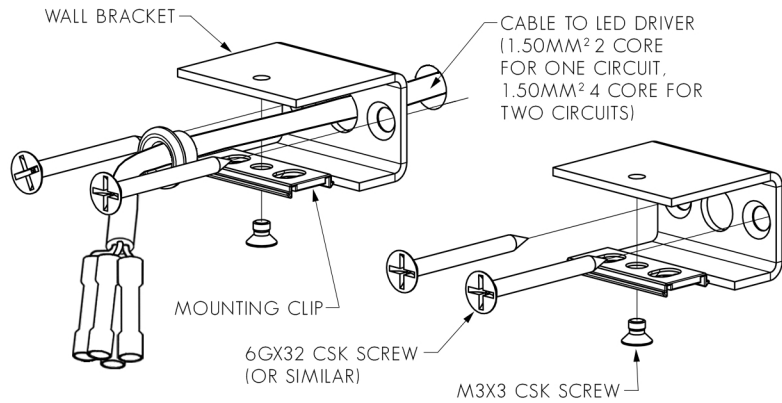


1 PRODUCT OVERVIEW



SIDEWAYS SALLY 20

2 FIX WALL BRACKETS IN TO A SOLID FIXING



MAXIMUM DISTANCE BETWEEN WALL BRACKETS IS 800MM AND NO FURTHER THAN 200MM IN FROM AN END OR JOIN.

3 JOIN EXTRUSIONS, INSTALL LED STRIP, DIFFUSER AND END CAPS

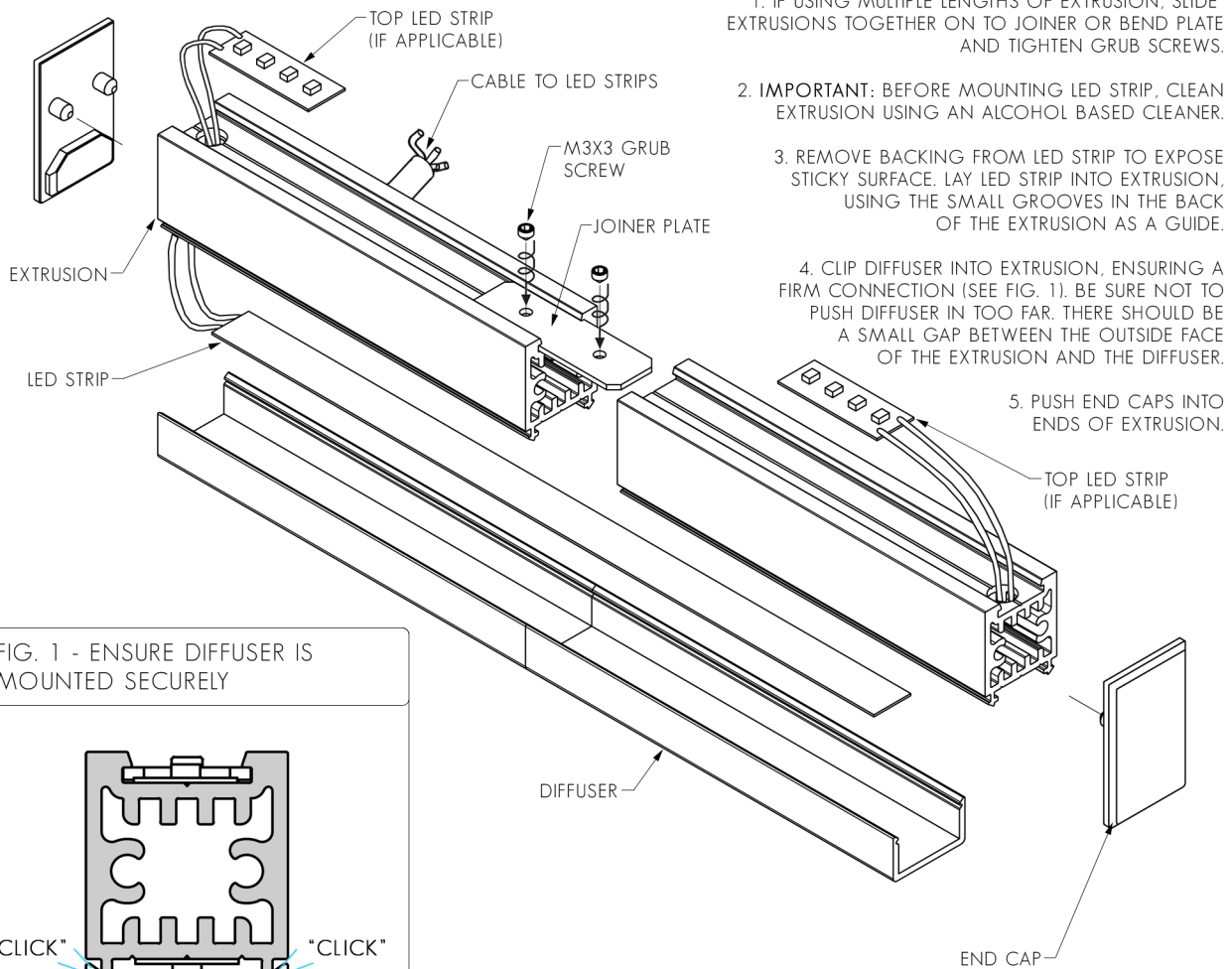
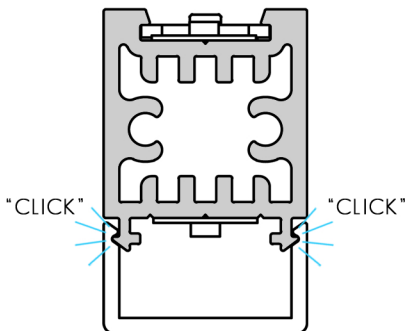


FIG. 1 - ENSURE DIFFUSER IS MOUNTED SECURELY



4

MAKE ELECTRICAL CONNECTION, FIX EXTRUSION TO WALL BRACKETS

1. MAKE ELECTRICAL CONNECTION: CONNECT LED STRIP TAILS TO LED DRIVER USING CRIMP CONNECTORS, THEN SEAL WITH HEAT SHRINK (OR SEE FIG. 2 IF SUPPLIED WITH MALE/FEMALE CONNECTORS).

2. LIFT EXTRUSION ASSEMBLY AND CLIP EXTRUSION ON TO MOUNTING CLIPS ON WALL BRACKETS, ENSURING A FIRM CONNECTION (SEE FIG. 3).

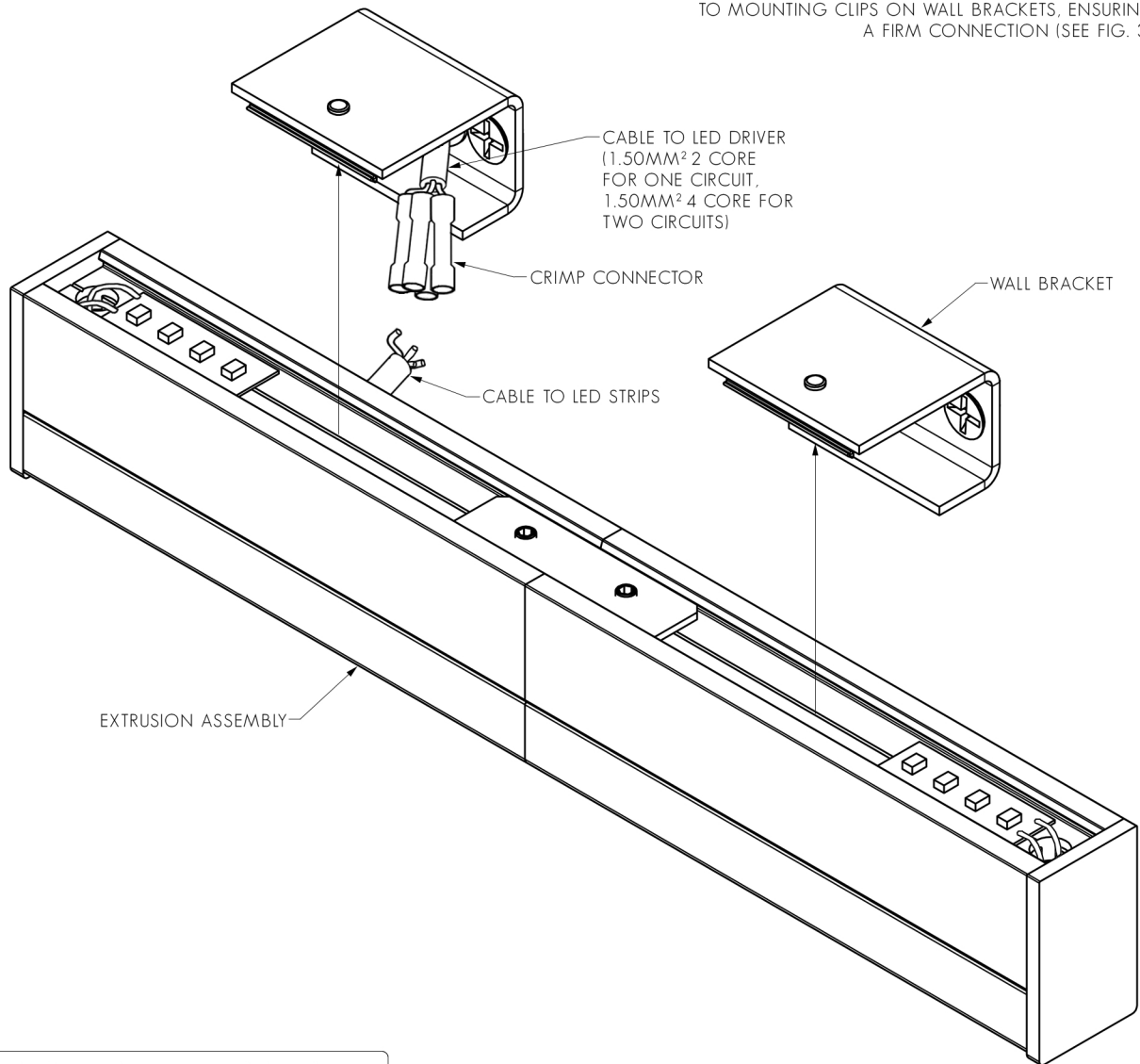


FIG. 3 - ENSURE EXTRUSION IS MOUNTED SECURELY

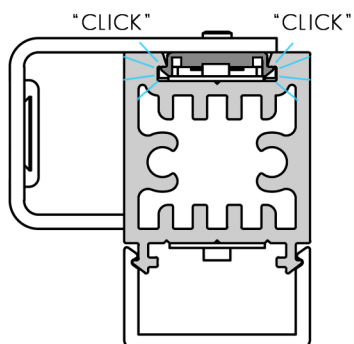


FIG. 2 - MAKE ELECTRICAL CONNECTION

