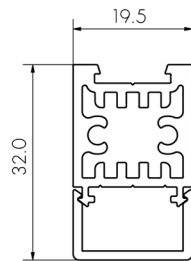
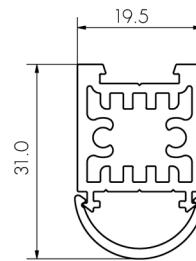


1 PRODUCT OVERVIEW



SIDEWAYS SALLY 20R



SIDEWAYS SALLY 20C

2 MOUNT EXTRUSION, MAKE ELECTRICAL CONNECTION.

1. FEED LED STRIP TAILS (OR CABLE) THROUGH HOLE IN EXTRUSION. DO NOT INSTALL LED STRIP AT THIS POINT. IF CABLE ENTRY POSITION IS NOT AT ONE END (E.G. CENTRED), SEE FIG. 2.
2. MAKE ELECTRICAL CONNECTION: CONNECT LED STRIP TAILS TO LED DRIVER.
3. INSERT END CAPS IN TO EXTRUSION.
4. IF USING MULTIPLE LENGTHS OF EXTRUSION, SLIDE EXTRUSIONS TOGETHER ON TO JOINER OR BEND PLATE AND LOCK TOGETHER USING GRUB SCREWS.
5. SCREW EXTRUSION TO SURFACE. SEE FIG. 1.

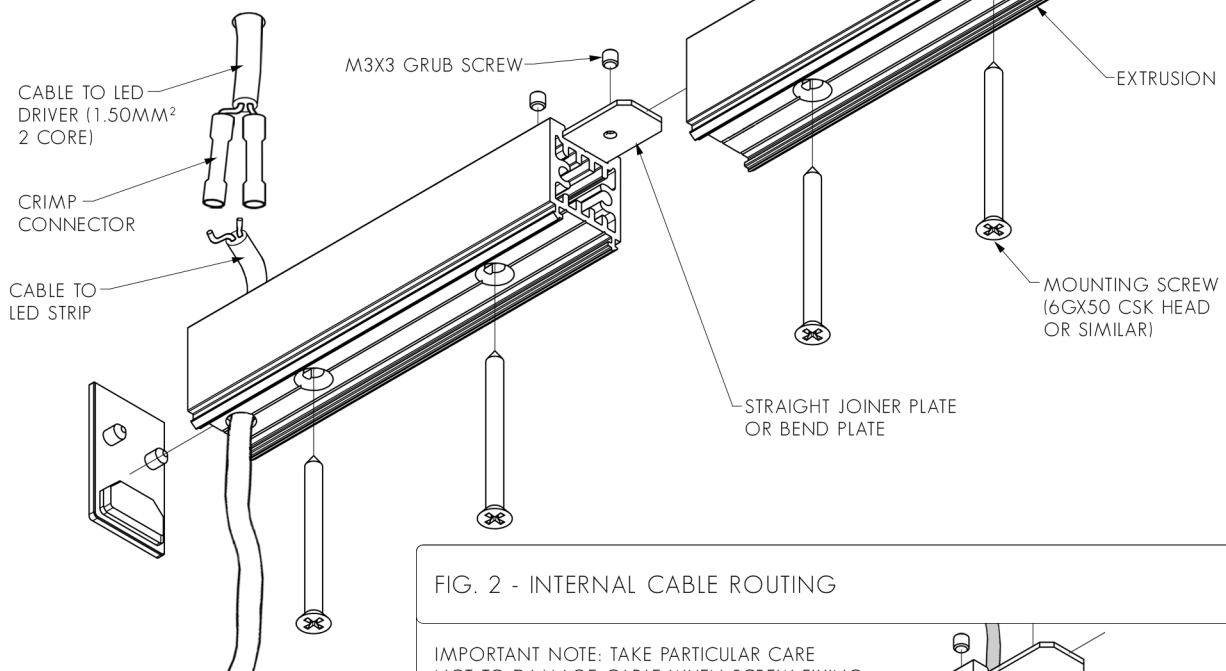


FIG. 1 - ENSURE EXTRUSION IS MOUNTED SECURELY

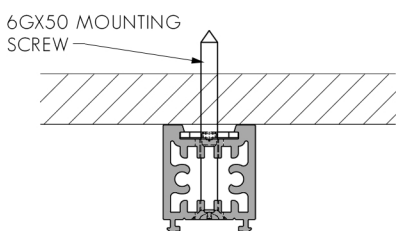
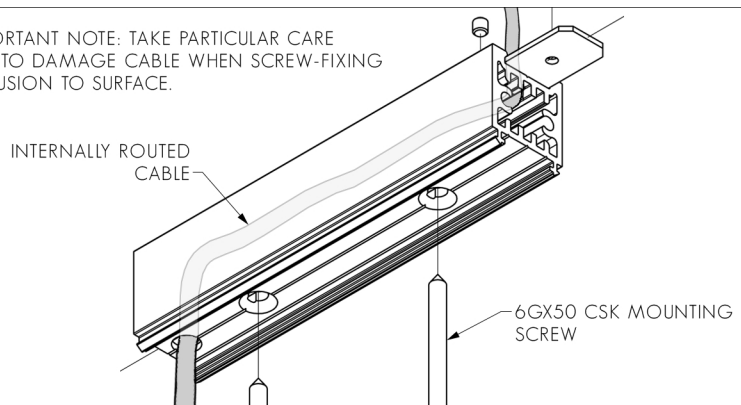


FIG. 2 - INTERNAL CABLE ROUTING

IMPORTANT NOTE: TAKE PARTICULAR CARE NOT TO DAMAGE CABLE WHEN SCREW-FIXING EXTRUSION TO SURFACE.



3 CLEAN EXTRUSION, INSTALL LED STRIP AND DIFFUSER.

1. **IMPORTANT:** BEFORE MOUNTING LED STRIP, CLEAN EXTRUSION USING AN ALCOHOL BASED CLEANER.
2. REMOVE BACKING FROM LED STRIP TO EXPOSE STICKY SURFACE. LAY LED STRIP INTO EXTRUSION. SEE FIG. 3 FOR PLACEMENT. USE A DAB OF SILICON AT EACH END OF THE LED STRIP TO PREVENT ENDS FROM LIFTING OFF EXTRUSION.
3. CLIP DIFFUSER INTO EXTRUSION, ENSURING A FIRM CONNECTION (SEE FIG. 3).

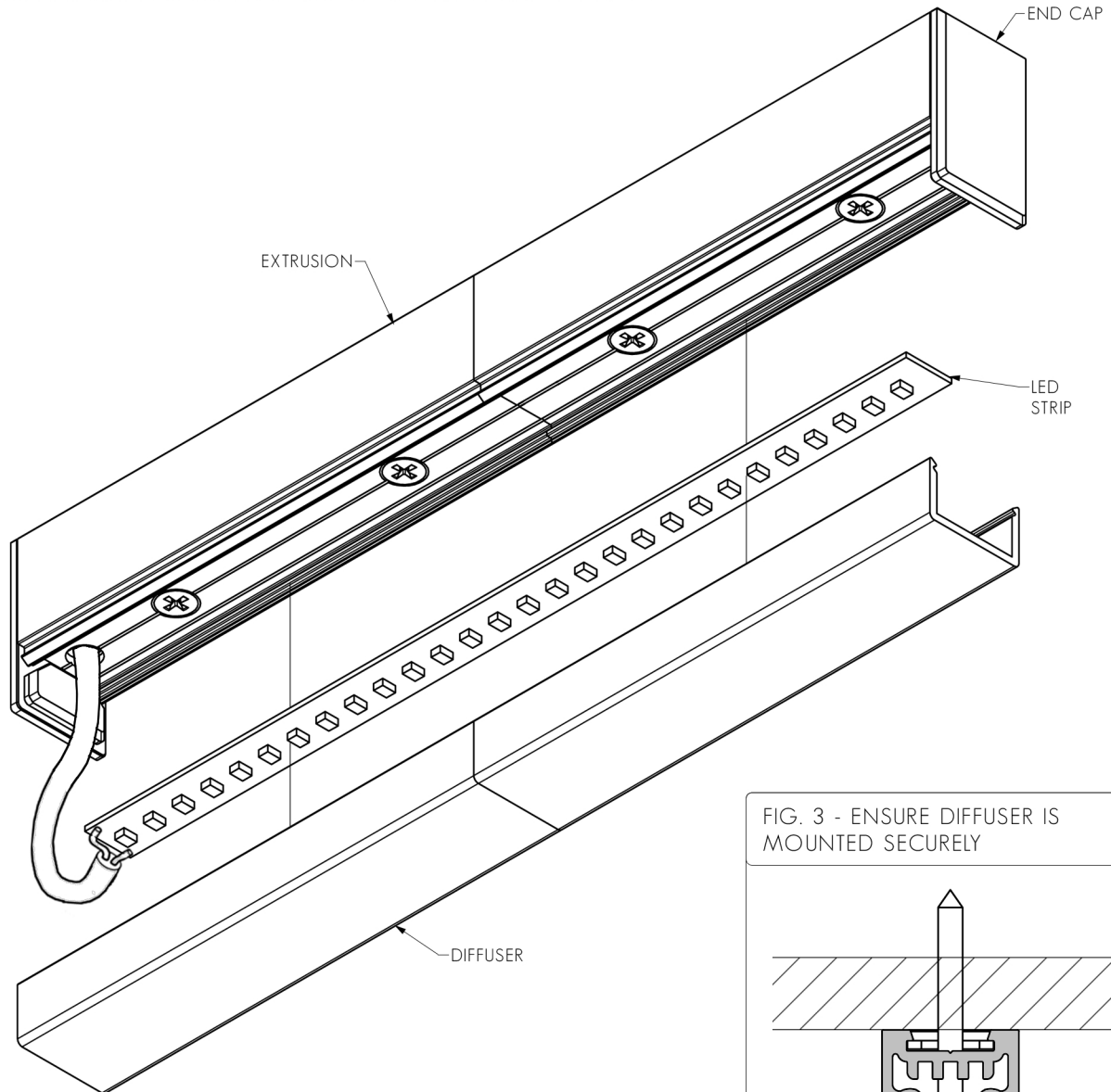


FIG. 3 - ENSURE DIFFUSER IS MOUNTED SECURELY

