

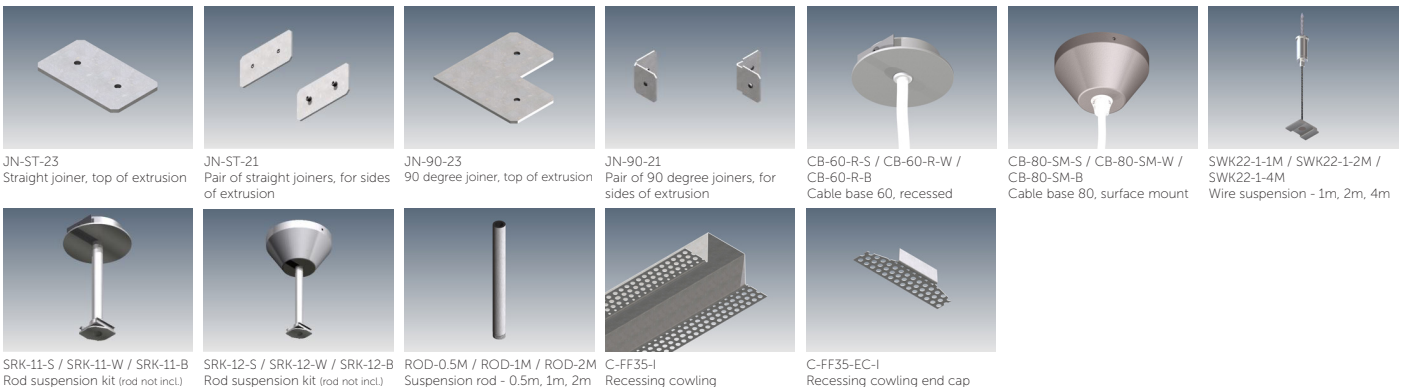
Flat Freddie 35 is a versatile profile suitable for a huge range of applications. Designed in conjunction with our Spec Series RGB+Twin White LED strip, Flat Freddie 35 offers a unique combination of a powerful white light with an independent RGB light - great for residential or hospitality applications.

| MOUNTING OPTIONS | | | DIFFUSER OPTIONS | | | SUPER SERIES LED STRIP OPTIONS | | |
|------------------|--|--|------------------|--|--|--------------------------------|-----------------|--------------|
| Surface mounted | | | Satin | | | Lumens per metre | Watts per metre | Colour temp. |
| Recessed | | | | | | 310lm | | 2700K |
| Rod suspended | | | | | | 330lm | 3W | 3000K |
| Wire suspended | | | | | | 345lm | | 4000K |
| | | | | | | 760lm | | 2700K |
| | | | | | | 800lm | 7W | 3000K |
| | | | | | | 840lm | | 4000K |
| | | | | | | 1520lm | | 2700K |
| | | | | | | 1600lm | 14W | 3000K |
| | | | | | | 1680lm | | 4000K |
| | | | | | | 1955lm | | 2700K |
| | | | | | | 2060lm | 20W | 3000K |
| | | | | | | 2160lm | | 4000K |
| | | | | | | 2400lm | | 2700K |
| | | | | | | 2530lm | 26W | 3000K |
| | | | | | | 2650lm | | 4000K |

| SPEC SERIES RGB+TWIN WHITE LED STRIP OPTIONS | | |
|--|--------------------|--------------|
| Lumens per metre | Watts per metre | Colour temp. |
| 1990lm white | 15W RGB, 25W White | 3000K |
| 2100lm white | | 4000K |

- LED strip options vary depending on region - please consult your local distributor for more information. Other LED strip options are available on request, including IP54 and IP67.
- All lumen values refer to the bare LED strip. Losses through diffuser/profile are not represented. Consult photometric data.
- 5 year manufacturer's warranty on Super Series & Spec Series LED strip.

ACCESSORIES



JN-ST-23 Straight joiner, top of extrusion

JN-ST-21 Pair of straight joiners, for sides of extrusion

JN-90-23 90 degree joiner, top of extrusion

JN-90-21 Pair of 90 degree joiners, for sides of extrusion

CB-60-R-S / CB-60-R-W / CB-60-R-B Cable base 60, recessed

CB-80-SM-S / CB-80-SM-W / CB-80-SM-B Cable base 80, surface mount

SWK22-1-1M / SWK22-1-2M / SWK22-1-4M Wire suspension - 1m, 2m, 4m

SRK-11-S / SRK-11-W / SRK-11-B Rod suspension kit (rod not incl)

SRK-12-S / SRK-12-W / SRK-12-B Rod suspension kit (rod not incl)

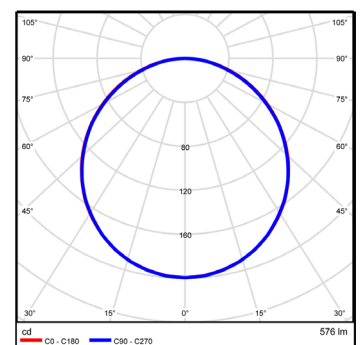
ROD-0.5M / ROD-1M / ROD-2M Suspension rod - 0.5m, 1m, 2m

C-FF35-I Recessing cowl

C-FF35-EC-I Recessing cowl end cap

ADDITIONAL INFORMATION

Applications Bars, restaurants, kitchens, living rooms, dining rooms, reception counters, lobbies.
Installation Interior or exterior (with IP67 rated LED strip).
Materials Extruded aluminium body, PMMA diffuser, aluminium end caps.
Finish Natural silver anodised or custom powder coat colours.
Light source LED ribbon strip.
Power supply 24V DC - remote driver options ranging from 6W up to 320W.
Dimmable Various options available, please enquire.



Polar curve for 2250 lumen LED strip with satin diffuser.

