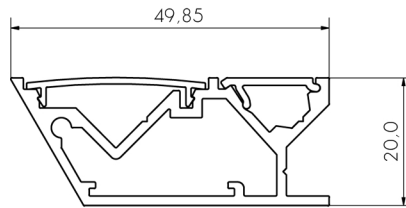


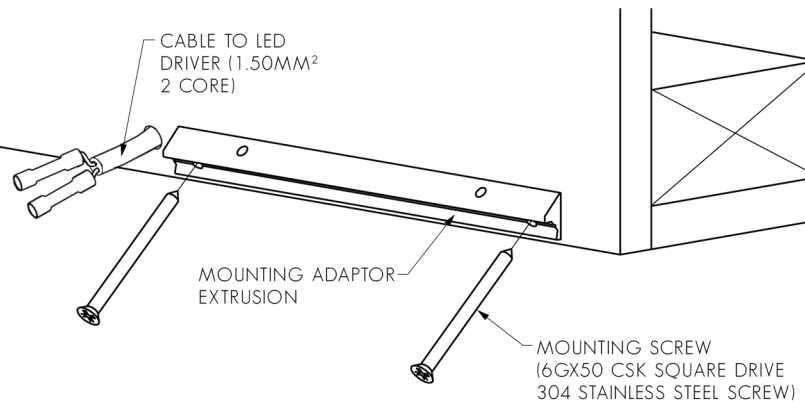
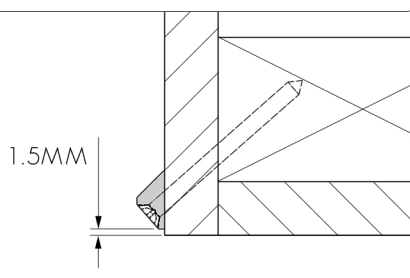
1 PRODUCT OVERVIEW



2 AFFIX MOUNTING ADAPTOR EXTRUSION

1. USE DOUBLE-SIDED TAPE TO BACK OF MOUNTING ADAPTOR EXTRUSION, THEN STICK TO SIDE OF BULKHEAD. FOR DADO DAVE 20 TO FIT FLUSH WITH UNDERSIDE OF BULKHEAD, MOUNTING ADAPTOR EXTRUSION SHOULD BE 1.5MM FROM BOTTOM OF BULKHEAD.
2. SCREW THE MOUNTING ADAPTOR EXTRUSION TO BULKHEAD USING SCREWS PROVIDED, ENSURING IT DOES NOT SHIFT.

FIG. 1 - ENSURE EXTRUSION IS MOUNTED SECURELY



3 FIT END CAPS, MOUNT EXTRUSION

1. INSERT END CAPS IN TO EXTRUSION.
2. IF USING MULTIPLE LENGTHS OF EXTRUSION, SLIDE EXTRUSIONS TOGETHER ON TO JOINER OR BEND PLATE. USE A SHORT PIECE OF ELECTRICAL TAPE (OR SIMILAR) TO PREVENT JOINER FROM SLIDING TOO FAR INTO EXTRUSION. THE JOINER SHOULD SIT HALF WAY BETWEEN EACH EXTRUSION.
3. USING THE EXISTING HOLES IN DADO DAVE 20 AS A GUIDE, DRILL 2.6MMØ GUIDE HOLES THROUGH MOUNTING ADAPTOR EXTRUSION. DRILL HOLES AT LEAST EVERY 400MM.
4. FIX DADO DAVE 20 TO MOUNTING ADAPTOR BRACKET USING THE 3.5X10MM CSK SELF-TAPPING SCREWS PROVIDED.

5. CLIP EXTRUSION LID OVER SCREW HEADS.

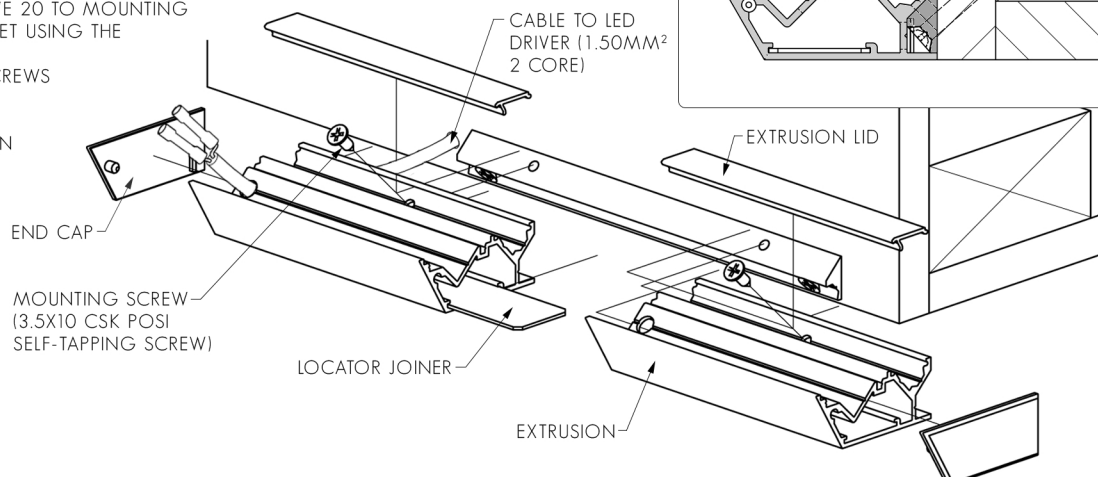
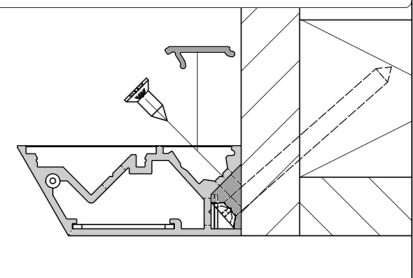


FIG. 2 - ENSURE EXTRUSION IS MOUNTED SECURELY



4 CLEAN EXTRUSION, INSTALL LED STRIP AND DIFFUSER.

1. **IMPORTANT:** BEFORE MOUNTING LED STRIP, CLEAN EXTRUSION USING AN ALCOHOL BASED CLEANER.
2. REMOVE BACKING FROM LED STRIP TO EXPOSE STICKY SURFACE. LAY LED STRIP INTO EXTRUSION. USE A DAB OF SILICON AT EACH END OF THE LED STRIP TO PREVENT ENDS FROM LIFTING OFF EXTRUSION.
3. CLIP DIFFUSER INTO EXTRUSION, ENSURING A FIRM CONNECTION (SEE FIG. 3).

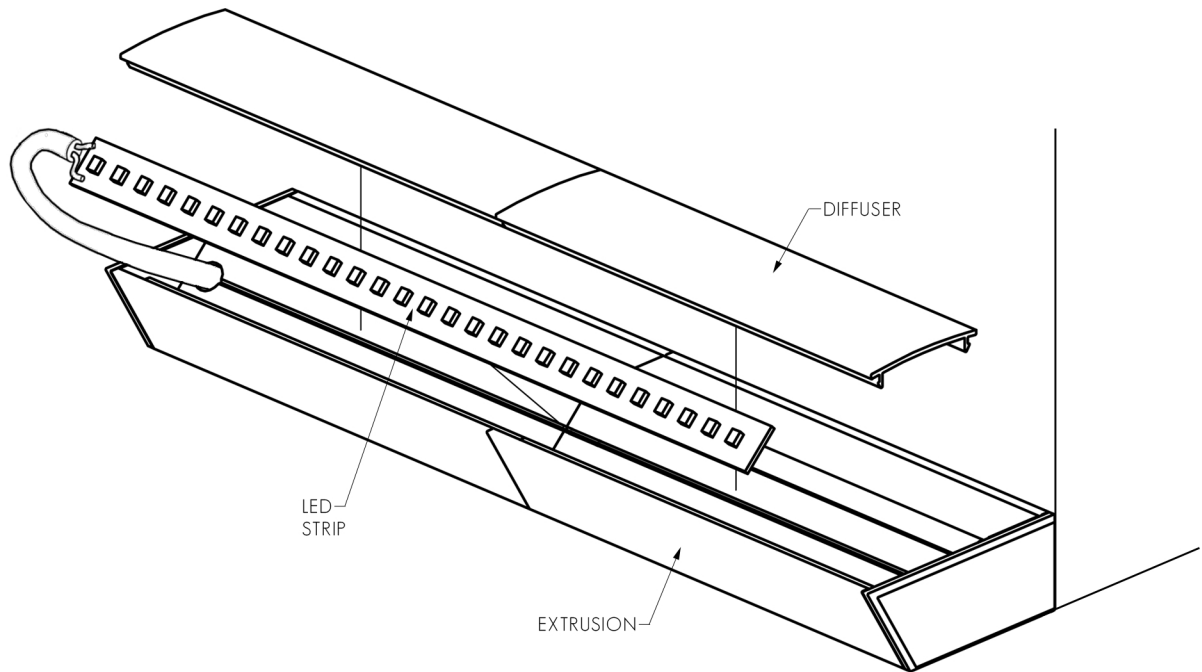


FIG. 3 - ENSURE DIFFUSER IS MOUNTED SECURELY

